



Sink

**KE**

Sink - 1 bowl - FILOTOP Edge - for flush-mount (FT) or over-mount (FTS) installation

Code: 2156 050

### Product Details

Materials/Finishes	Foster-brushed finish AISI 304 stainless steel
Cabinet	45 cm
Dimensions	440x440 mm
Edge/Installation Type	FILOTOP Edge - for flush-mount (FT) or over-mount (FTS) installation
Cut out	Vedi scheda tecnica
Number of bowls	1 bowl
Bowl dimension	400x400 mm
Waste fitting	3,5" waste
Mixer holes	No standard tap hole
Standard fittings	fixing brackets, gasket, waste fitting, overflow and siphon. Packing: single carton box.

### Features



High thickness



Small radius

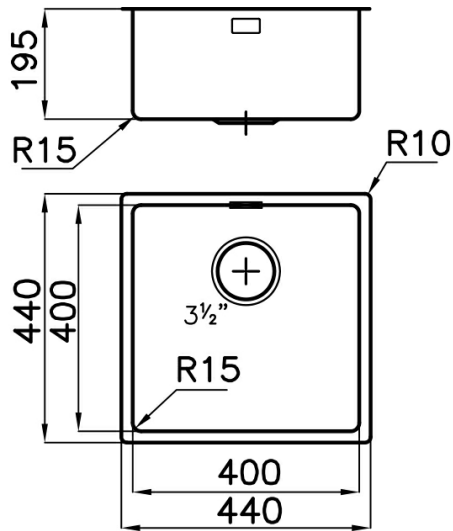


Perimetral overflow

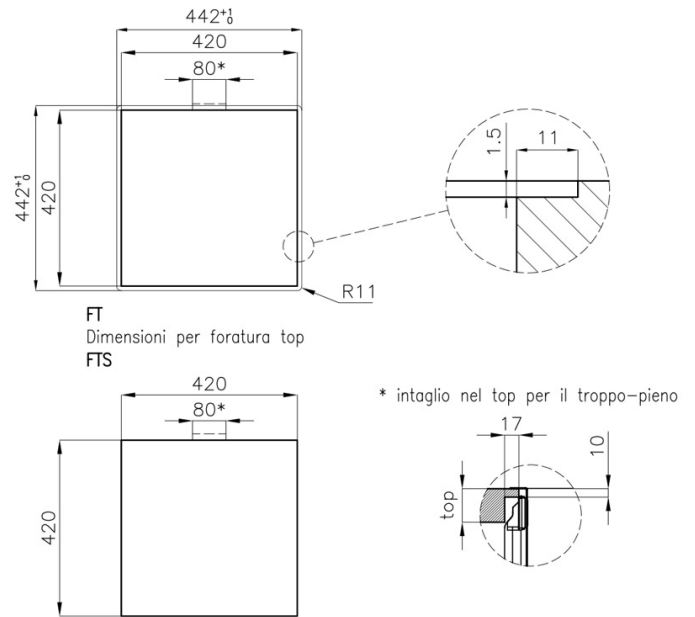


Basket 3,5" waste fitting

Dimensions



Cut out drawing



Optional accessories



iroko-wood sliding chopping board 8644 041



iroko-wood twin chopping board 8644 004



glass chopping board 8631 300



hpde chopping board 8657 001



hpde twin chopping board 8644 101



iroko-wood chopping board with stainless steel colander 8644 042



graters kit with ring-holder and food collection tray 8159 101



white bowl 8153 100



cestello inox 8612 000



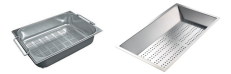
stainless steel plate rack 8100 154



stainless steel plate rack 8100 201



stainless steel plate rack 8100 303



stainless steel colander 8154 000



stainless steel perforated tray 8151 000

Optional automatic waste fittings



automatic waste  
fitting 8407 113



space automatic  
waste fitting 8407  
108



space automatic  
waste fitting 8407  
109



space light automatic  
waste fitting 8407 117



space milano  
automatic waste  
fitting 8407 115



space push automatic  
waste fitting 8407 116  
17-07-2019  
06:42:38